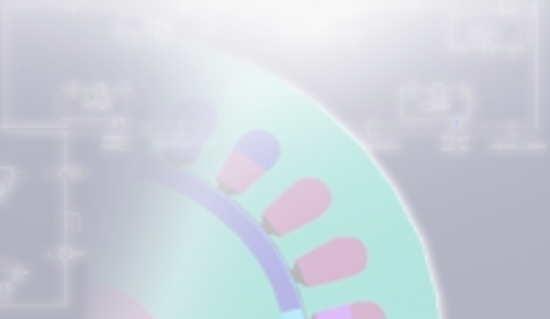
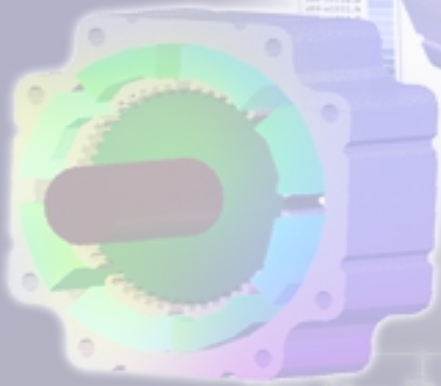
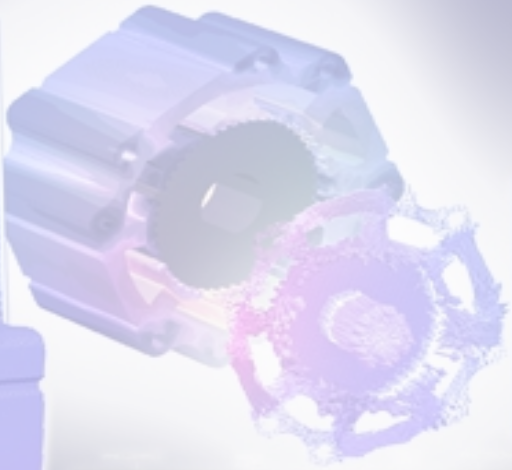
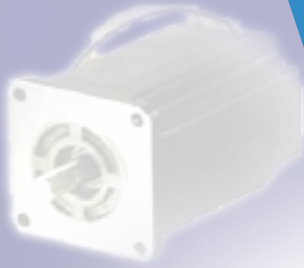


2020



PROMETHOD
ELECTROMECHANICAL SOLUTIONS



R&D CAPABILITIES

Design, Simulation, Test, Production

www.promethod.com.tr

CAPABILITIES

- 01 *CNC MACHINING SERVICE (SENSITIVE, LOW TOLERANCE)*
- 02 *SERVO MOTOR-DRIVER DESIGN and PRODUCTION*
- 03 *UAV/DRONE MOTOR-ESC DESIGN and PRODUCTION*
- 04 *OEM SPECIAL ELECTRIC MACHINE PRODUCTION*
- 05 *SPECIAL TEST SYSTEMS PRODUCTION*

ON-GOING PROJECTS

INTEGRATED SERVO MOTOR 01

CNC MACHINE SERVO/SPINDLE MOTOR and DRIVER 02

BLDC and SERVO MOTOR TEST PLATFORM 03

UAV RC MOTOR MANUFACTURE 04

UAV ESC MANUFACTURE 05



01 *CNC LATHE*

02 *CNC 5-AXIS MACHINING CENTER*

03 *CNC 4-AXIS MACHINING CENTER*

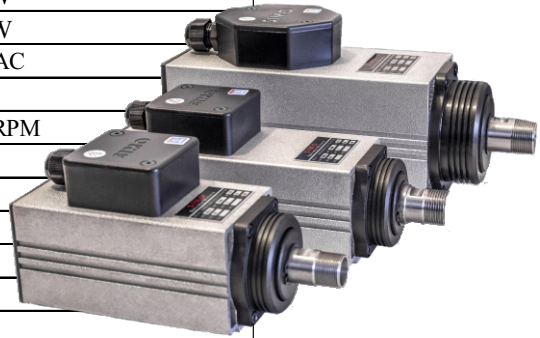
04 *INDEXING HEAD ROUTER*

05 *MANUAL LATHE*



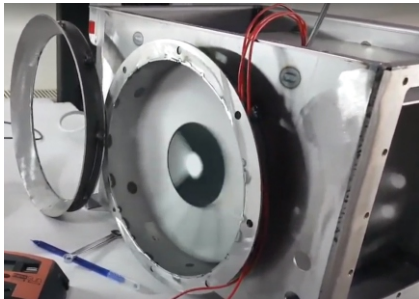
PENS Type High Frequency High Speed SPINDLE MOTORS

Usage	Spindle Motor
Rated Output Power Range	0 - 4000 W
Max. Power Range	0 - 6000 W
Rated Voltage	220/380 VAC
Number Of Poles	2/4
Rated Speed Range	0 - 24000 RPM
Rated Torque Range	0 - 4 N.m
Efficiency	>80
Rotor Position	Inner
Motor Dimensions	-
Magnetic Shaft	No
Weight	-
IP	56



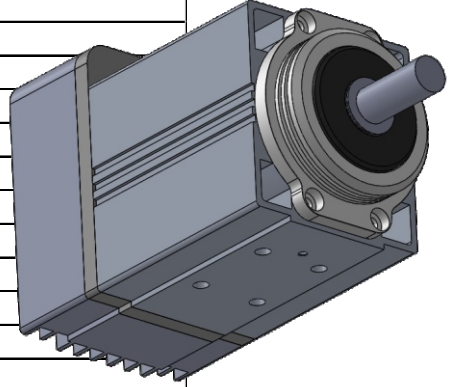
Wind Turbine Generator

Usage	Wind Turbine
Rated Output Power	50 W
Max. Power Range	75 W
Rated Voltage	12/24
Number Of Poles	8
Rated Speed	1000 RPM
Rated Torque Range	50 mN.m
Efficiency	>75
Rotor Position	Inner
Motor Dimensions	-
Magnetic Shaft	Yes
Weight	-
IP	66



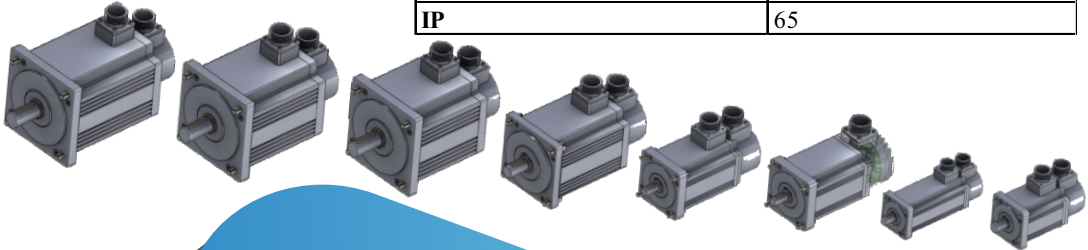
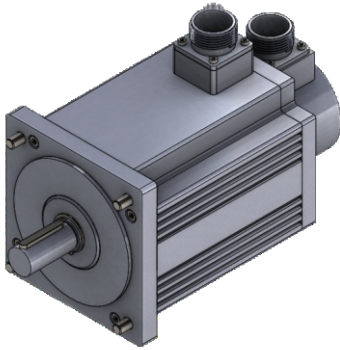
Internal Drive Integrated DC Servo Motor

Usage	Servo Motor
Rated Output Power Range	0 - 1000 W
Max. Power Range	0 - 2000 W
Rated Voltage	12-96 VDC
Rated Speed Range	0 - 6000 RPM
Rated Torque Range	0 - 4 N.m
Efficiency	>80
Rotor Position	Inner
Magnetic Shaft	Yes/No
IP	56



External Drive Servo Motors

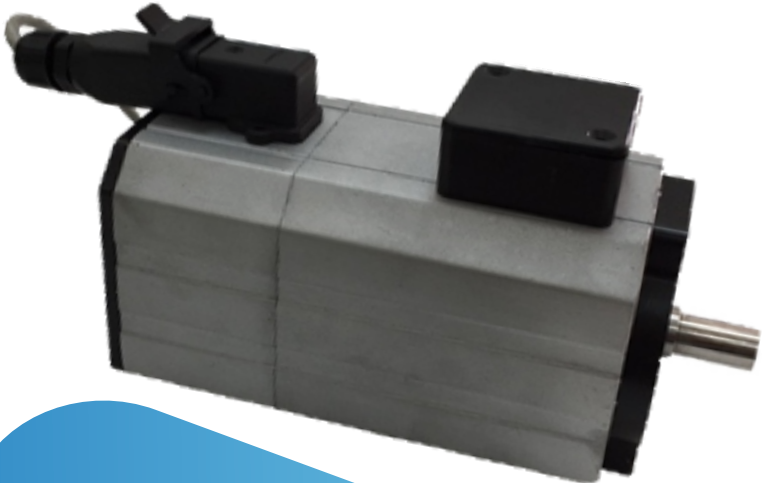
Usage	Servo Motors
Rated Output Power	0 - 6000 W
Max. Power Range	0 - 8000 W
Rated Voltage	230/400 VAC (Vp-p)
Rated Speed	0 - 6000 RPM
Rated Torque Range	0 - 10 N.m
Efficiency	>85
Rotor Position	Inner
Magnetic Shaft	Yes/No
IP	65



SG500/1000 STARTER/GENERATOR for UAV

Usage: Servo Motor/Generator

MOTOR MODE	GENERATOR MODE
Rated Output Power: 500 W	Rated Output Power: 1000 W
Rated Voltage: 28 VDC	Rated Voltage: 40 VAC
Number Of Poles: 4	
Rated Speed: 6400 RPM	Rated Speed: 28000 RPM
Rated Torque: 0,6 N.m	Rated Torque: 0,49 N.m
Efficiency: %85	Efficiency: %89
Rotor Position: Inner	Rotor Position: Inner
Motor Dimensions	150 x 100 x 90 mm
Magnetic Shaft: No/Yes	Magnetic Shaft: No/Yes
Weight: 6,5 kg	
IP: 56	



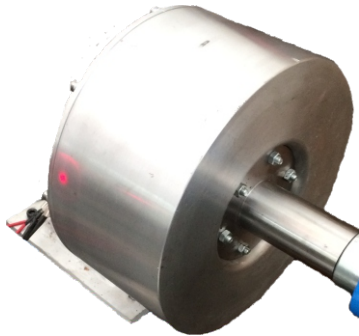
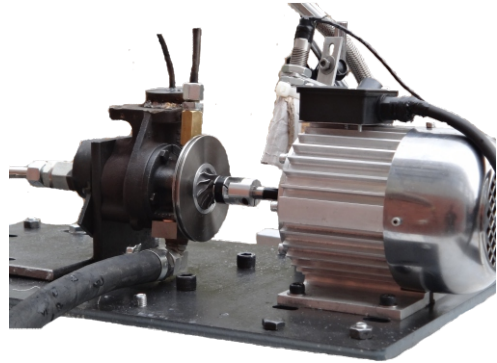
MG4014 400KV	
Usage	UAV Motor
Configuration	18N24P
RPM/V	400KV
Suitable Propellers	14*4,8 15*5,0 16*5,4 17*5,8
Continuous Power	500 W
Maximum Power (180 secs)	900 W
Maximum Thrust (16*5,4 Prop)	2890 gr
Efficiency at 2500g Thrust	6,35 g/W
Maximum Current (180 secs)	30 A
Motor Dimensions	45 x 32 mm
Motor Weight without Cables	130 g
Number of Cells (Lipo)	4-8S
IP	Enthusiast/Industrial



MG2815 1100KV	
Usage	UAV Motor
Configuration	12N14P
RPM/V	1100KV
Suitable Propellers	11*5,5 13*6,5
Continuous Power	357 W
Maximum Power (180 secs)	650 W
Maximum Thrust (11*5,5 Prop)	1810 gr
Efficiency at 1500g Thrust	5,4 g/W
Maximum Current (100 secs)	37 A
Motor Dimensions	35 x 36 mm
Motor Weight without Cables	110 g
Number of Cells (Lipo)	2-3S
IP	Enthusiast/Industrial

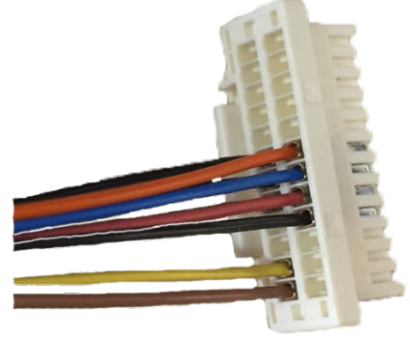


YHG1000 (Custom Design High Speed Generator)	
Usage	UAV
Rated Output Power	2.200 kW
Max. Power	3.100 kW
Rated Voltage	95 VAC
Number Of Poles	4
Rated Speed	26500 RPM
Rated Torque	0,765 N.m
Efficiency	96%
Rotor Position	Inner
Motor Dimensions	120 x 90 x 130 mm
Magnetic Shaft	No
Weight	5 kg
IP	56



HUB Motors (Custom Design Hub Motor)	
Usage: Direct Drive Electric Vehicle	
1k	15k
Rated Output Power: 1000 W	Rated Output Power: 15.000 W
Rated Voltage: 24 VDC	Rated Voltage: 120 VDC
Number Of Poles: 24	Number Of Poles: 64
Rated Speed: 450 RPM	Rated Speed: 1100 RPM
Rated Torque: 21 N.m	Rated Torque: 129 N.m
Efficiency: %90	Efficiency: %93
Rotor Position: Outer	Rotor Position: Outer
Motor Dimensions: 350 x 70 mm	Motor Dimensions: 336 x 176 mm
Magnetic Shaft: No	Magnetic Shaft: No
Weight: 9 kg	Weight: 17 kg
IP: 56	IP: 57

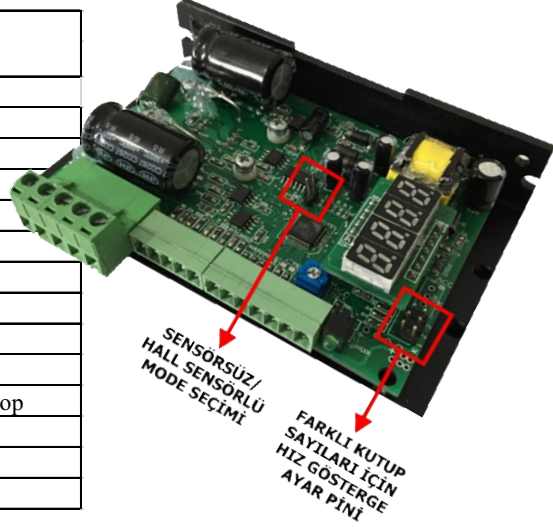
WIRING (Special Wiring)
Usage: UAV Motor Cabling
Usage: Ground Control Station Cabling
Usage: UAV Electronic Parts Cabling
Usage: Avionic Cabling



UK350 (Custom Design UAV Generator)	
Usage	UAV Energy Source
Rated Output Power	350 W
Max. Power	750 W
Rated Voltage	54 VAC
Number Of Poles	10
Rated Speed	6500 RPM
Rated Torque	0,5 N.m
Efficiency	87%
Rotor Position	Outer
Motor Dimensions	80 x 12 mm
Magnetic Shaft	No
Weight	300 gr
IP	56



PM-D500 (Custom Design BLDC Motor Driver)	
Usage	BLDC Motor Driver
Working Voltage Range	18-40 VDC
Rated Power	0-500 W (750 W max.)
Rated Speed	0-12000 RPM
Rated Current	15 A
Maximum Current	30 A (60 sec)
PWM Frequency	>12 kHz
Input Signal Mode	TTL
BLDC Motor Drive Mode	Sensorless/Hall Sensored
Speed Control Mode	Open Loop/Closed Loop
Driver Dimensions	119 x 76 x 34 mm
Weight	37 gr
IP	OEM



XDr-40A (Custom Design Drone Motor ESC)	
Usage	UAV Motor
Continuous Current	40 A
Peak Current (10sec)	60 A
Battery	2-6S
BEC	No
Programmable Item	Timing (High/Intermediate)
Trouble Shooting	Yes
ESC Type	550/650 Class (Multi-Rotor)
Max. Signal Frequency	621 Hz.
Calibration/Programming	Yes
ESC Dimensions	68 x 25 x 7 mm
Weight	22 gr
IP	OEM

Contact Us!

2020



Phone: +90 850 840 45 10

E-Mail: info@promethod.com.tr

Address: İvedik OSB 1535. Street No:26
Yenimahalle/ANKARA



www.promethod.com.tr